



PTU51 Ultrasonic level transmitter

Range 0.3 ÷ 6 meters

Blind zone 30 cm

IP67|68

Suitable for measuring of liquids

MODBUS RTU/BLUETOOTH comm. protocol

Power supply 24 Vdc

Output: 4 ÷ 20 mA analogue output

Remote control via Smartphone

Non-intrusive level measurement systems are the preferred technology for many applications and for this reason SGM-LEKTRA developed the level/distance transmitters PTU51. These units are compact with a unique simplicity of commissioning. Calibration and transmitter configuration is possible, even remotely, thanks to a MODBUS RTU connection together with the related software for the PC, or via VLW90M / VLW60T; Bluetooth display unit. The IP67|68 transmitter protection allows installation in underground wells.

The application for configuration and programming via bluetooth, available on Google Play, is compatible with the most common devices with operating system ANDROID 4.2 and subsequent. It is possible to read the measurements detected by the transmitter and set the configuration parameters of the sensor. The smartphone terminal must be equipped with the BLUETOOTH device of class 1 and version 2.1. The maximum reception / transmission distance is 15m in open air.

Technical Feature

Housing material

PP

Mechanical installation

1" GAS M - PP flange DN100 opt.

Protection degree

IP67|68

Electrical connection

IP67 male connector with 5/10/15/20m linking cable

Working temperature

-20 ÷ +60°C

Pressure

From 0,5 to 1,5 bar (absolute)

Power supply

20÷30Vdc

Power consumption

1.5W

Analog output

4÷20mA max 750ohm

Digital communication

MODBUS RTU

Range

0.3÷6m

In case of non perfectly reflecting surfaces, the maximum distance value will be reduced

Temperature compensation

digital in the working temperature

Accuracy

±0,2% (of the measured distance) not better than ±3mm

Resolution

1mm

Calibration

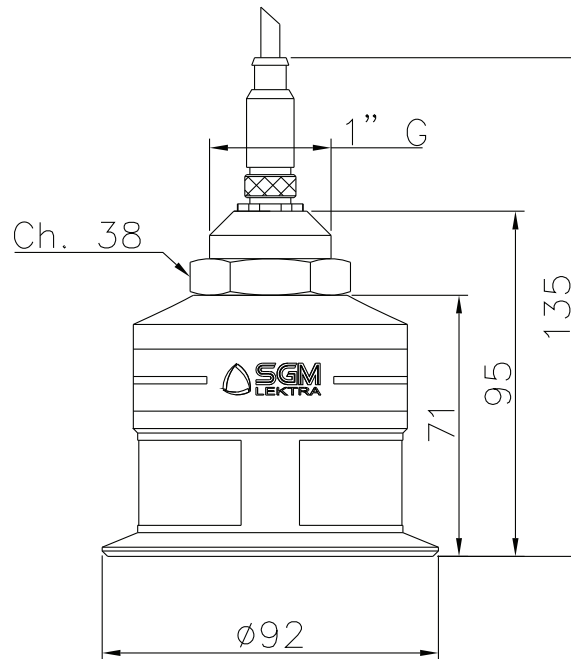
VLW90M / VLW60T prog. module; MODBUS; or via smartphone

Warm-up

30 minutes

Display

LCD display on VLW90M; VLW60T; VLW602; Android App (opt.)



PTU51

Level transmitter

Ultrasonic - for measurement in liquids, muds, acids and granulates.
 Range: 0,3 ÷ 6m; IP67 / IP68 proof
 Housing in polypropylene (PP)
 Calibration by VLW60T / VLW90M units, via MODBUS or via BLUETOOTH (opt.) with Android APP
 Power supply 20÷30Vdc - Output 4÷20mA + MODBUS
 Temperature range -20 ÷ +60°C

Version	
B	With SS316 male connector + BLUETOOTH / IP67
E	With SS316 male connector / IP67
G	With plastic (PA) male connector + BLUETOOTH - with M accessory / IP67
L	With 10m integrated cable / IP68
M	With 10m integrated cable + BLUETOOTH / IP68
P	With plastic (PA) male connector - with M accessory / IP67
Z	Special
Process connection / Sensor material	
0	G 1" / PP + n.1 1" BSP/ PP fixing bolt
1	DN100 PN6 UNI 1092-1 / PP flange
9	Special
Accessories	
A	None
F	MODBUS PC communication S/W (010F105A)
H	Extension L=250mm in PP + DN100 flange
J	Junction box in PC 6 way IP65 (490B074C)
L	Adjustable extension in PP + DN100 flange (Lmin= 85mm Lmax=690mm)
M	IP67 female connector in plastic (PA) with 5m cable - for G and P versions
N	Junction box / IP68
T	IP67 female connector in SS316 with 5m cable
U	IP67 female connector in SS316 with 10m cable
V	IP67 female connector in SS316 with 15m cable
W	IP67 female connector in SS316 with 20m cable
Y	Cable for Junction box - price per meter
Z	Special